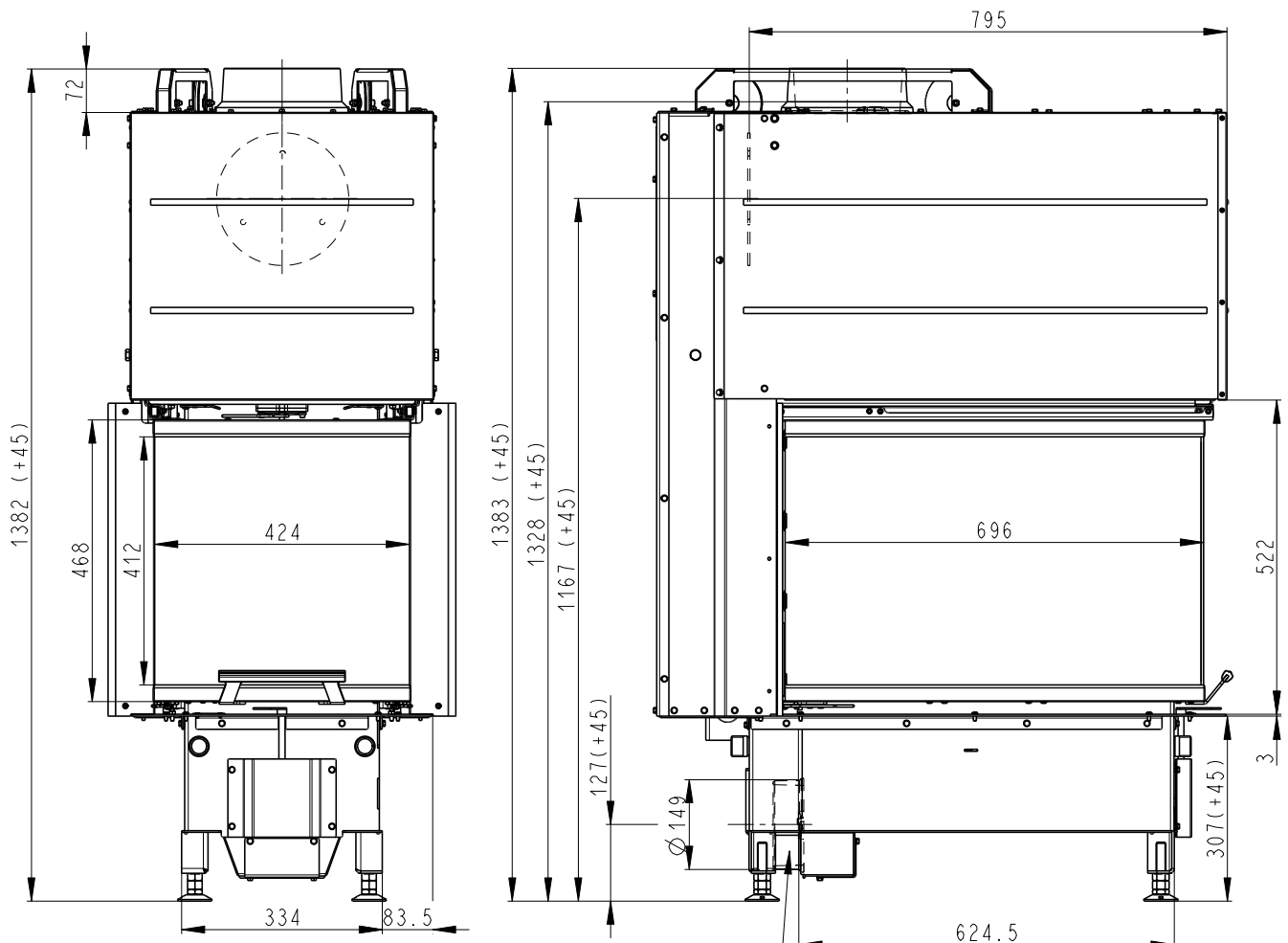
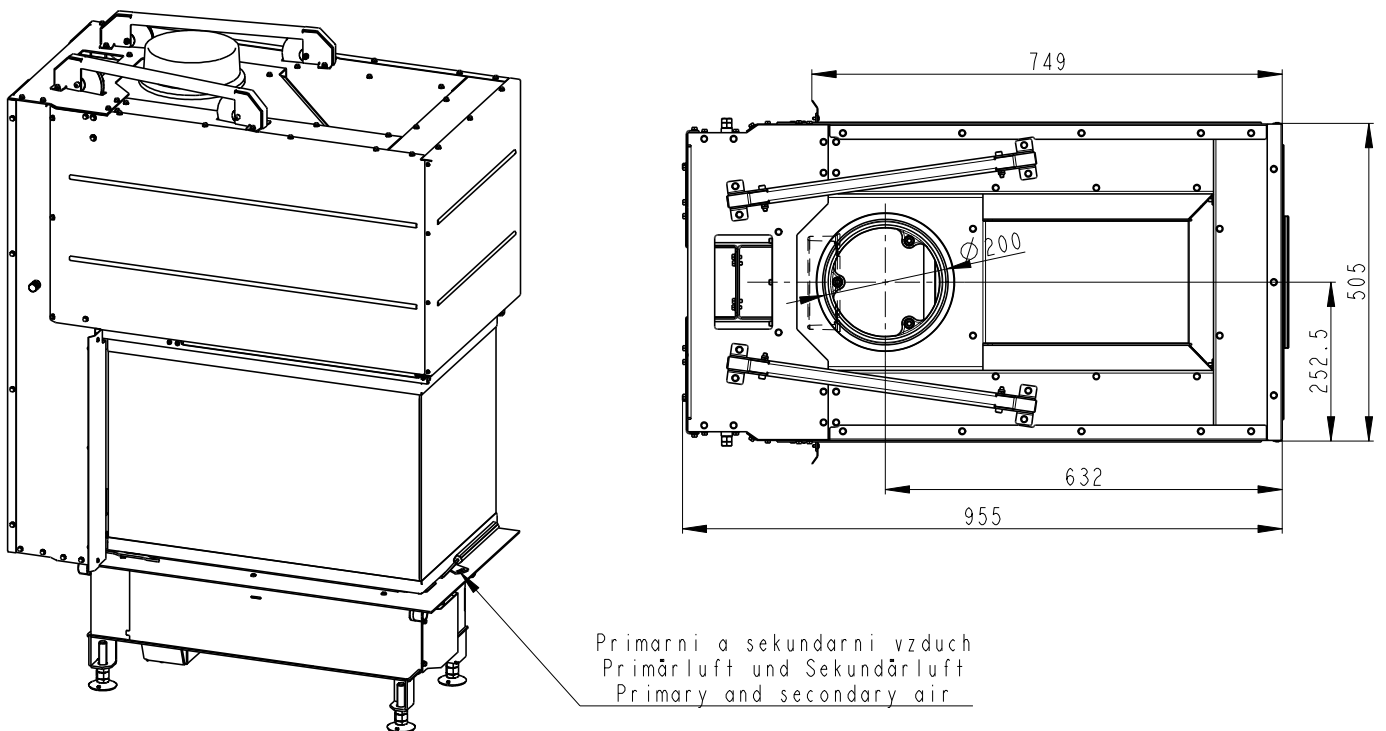


HEAT U 2g L 42.52.70.21



Centralni privod vzduchu
 Central air inlet
 Zentralluftzufuhr



Primarni a sekundarni vzduch
 Primärluft und Sekundärluft
 Primary and secondary air

Artikl	HU2LE 21
--------	----------

General data

Nominal heat output	kW	10,0
Efficiency	%	82,67
Mass of the test fuel fired hourly	kg/h	2,81
Dry flue gases mass flow	g/s	8,1
Mean flue gas temperature	°C	242
Flue draught	Pa	11
Weight	kg	255
CO ₂	%	10,07

Recommended values

Reg.output	kW	5 - 13
Max. mass of the test fuel fired hourly	kg/h	3,66
Min. cross section of convect air inlet for nominal output	cm ²	900
Min. cross section of convect air outlet for nominal output	cm ²	1070
Combustion air requirement	m ³ /h	23,6
Flue gas connector diameter	mm	200

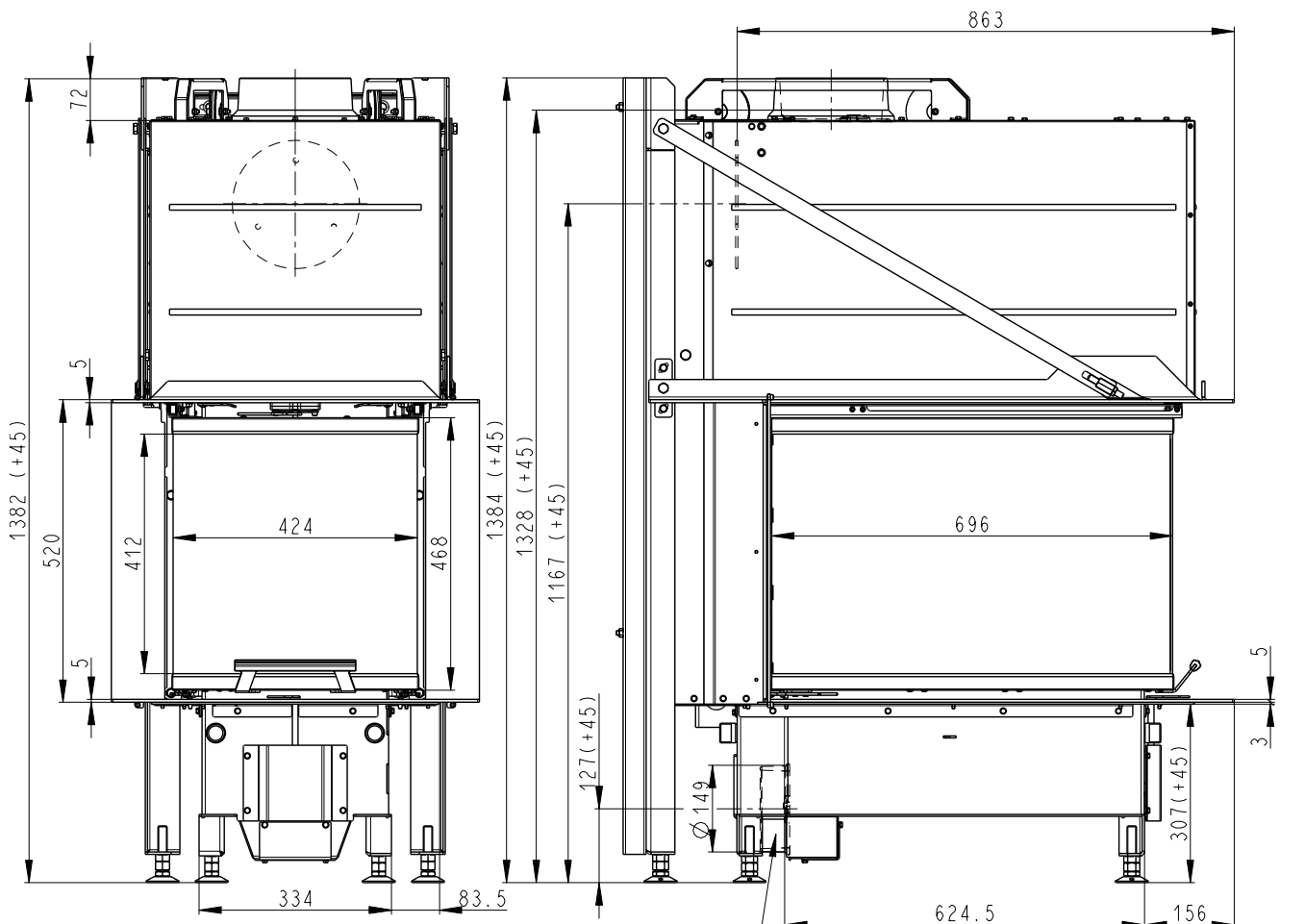
Meets requirement limit values for

EN 13 229	•
BImSch V 1	•
BImSch V 2	•
DIN plus	•
15a B-VG	•

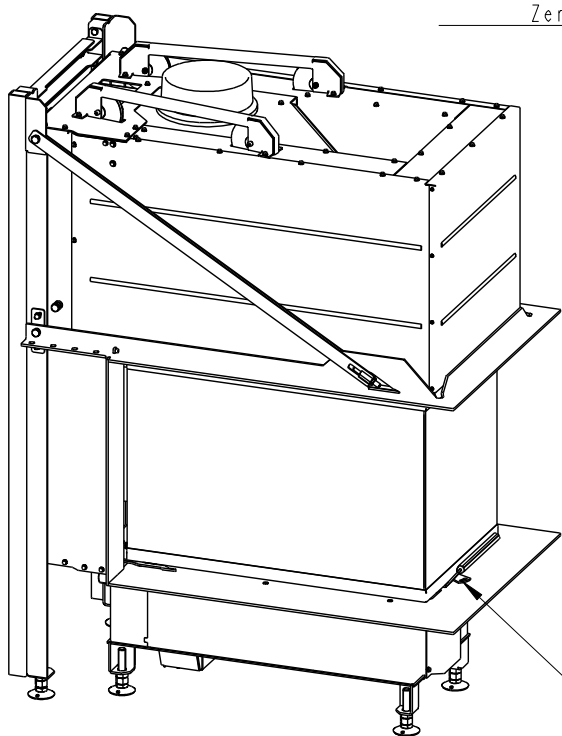
Supplied accessories

Holder with magnet	•
Hook to open the ashtray	-
Ashtray	-

HEAT U 2g L 42.52.70.21 K1



Centralni privod vzduchu
 Central air inlet
 Zentralluftzufuhr



Primarni a sekundarni vzduch
 Primärluft und Sekundärluft
 Primary and secondary air

Artikl	HU2LE 21 K1
--------	-------------

General data

Nominal heat output	kW	10,0
Efficiency	%	82,67
Mass of the test fuel fired hourly	kg/h	2,81
Dry flue gases mass flow	g/s	8,1
Mean flue gas temperature	°C	242
Flue draught	Pa	11
Weight	kg	300
CO ₂	%	10,07

Recommended values

Reg.output	kW	5 - 13
Max. mass of the test fuel fired hourly	kg/h	3,66
Min. cross section of convect air inlet for nominal output	cm ²	900
Min. cross section of convect air outlet for nominal output	cm ²	1070
Combustion air requirement	m ³ /h	23,6
Flue gas connector diameter	mm	200

Meets requirement limit values for

EN 13 229	•
BImSch V 1	•
BImSch V 2	•
DIN plus	•
15a B-VG	•

Supplied accessories

Holder with magnet	•
Hook to open the ashtray	-
Ashtray	-